



# P1972

19" Intel® Celeron® M 550 Heavy-duty Panel PC

Chassis-mounting

Panel-mounting



## Features

- Socket-P Intel® Celeron® M 550 CPU
- 19" 1280 x 1024 SXGA Color TFT LCD Display
- Optional Chassis or Panel Mounting
- Optional Resistive Touch Screen or Tempered Glass
- Multiple Expansion (5 x USB/1 x Mini PCI/1 x CF)
- One Front Bezel Accessible USB Port with Cap
- Compact Design

## System

<b>CPU</b>	Intel® Celeron® M 550 2.0GHz CPU
<b>Memory</b>	1 x 200-pin DDR2 SO-DIMM up to 2GB at 533/667MHz
<b>Chipset</b>	Intel® GME965 + ICH8M
<b>LAN</b>	2 x Realtek RTL8111B 10/100/1000Base-T
<b>Watchdog Timer</b>	1~255 levels reset

## Storage

<b>HDD/Type</b>	1 x 2.5" drive bay for IDE or SATA HDD/SSD
<b>Flash Disk</b>	1 x CompactFlash Type II Socket

## LCD Display

<b>Size/Type</b>	19" TFT LCD
<b>Resolution</b>	1280 x 1024, SXGA
<b>Pixel Pitch</b>	0.294 x 0.294 mm
<b>Max. Colors</b>	16M (24-bit)
<b>Luminance</b>	300 cd/m <sup>2</sup>

## Touch Screen

<b>Type</b>	5-wire, Analog Resistive (P1972-1200-P, P1972-1200-C only)
<b>Resolution</b>	Continuous
<b>Light Transparency</b>	80%
<b>Interface</b>	USB Interface

## Power

<b>Requirement</b>	DC 10 ~30V
<b>Consumption</b>	6.33A/12V

## I/O

<b>Serial Port</b>	2 x RS-232 ports
<b>USB Port</b>	Front: 1 x USB 2.0 port (for panel-mounting type only) Bottom: 4 x USB 2.0 ports
<b>KB/MS</b>	1 x 6-pin Mini-DIN connector for Keyboard and Mouse (PS/2 standard via Y-cable)
<b>LAN</b>	2 x RJ-45
<b>VGA</b>	1 x DB-15 female connector
<b>Audio</b>	Mic-in/Line-in/Line-out
<b>Expansion Bus</b>	1 x Mini PCI socket

## Mechanical

<b>Mounting Type</b>	Panel-mounting or chassis-mounting (Standard VESA)
<b>Tempered Glass</b>	3 mm (P1972-1100-P, P1972-1100-C only)
<b>Construction</b>	Steel (w/ aluminum bezel for panel-mounting type)
<b>Dimension (W x D x H)</b>	Chassis-mounting type: 431 x 71 x 353 mm (16.97" x 2.80" x 13.90") Panel-mounting type: 456 x 76 x 380 mm (17.95" x 2.99" x 14.96")

## Environmental

<b>Operating Temp.</b>	0 ~ 50°C (32 ~ 122°F)
<b>Storage Temp.</b>	-20 ~ 80°C (-4 ~ 176°F)
<b>Operating Humidity</b>	10 ~ 95% RH @40°C (non-condensing)
<b>Vibration</b>	5~500Hz, 1Grms

## Ordering Information

<b>P1972-1100-P/CM550</b>	19" panel-mounting panel PC with tempered glass, Intel® CM550 2.0GHz CPU, 1GB DDR2 SDRAM
<b>P1972-1200-P/CM550</b>	19" panel-mounting panel PC with resistive touch screen, Intel® CM550 2.0GHz CPU, 1GB DDR2 SDRAM
<b>P1972-1100-C/CM550</b>	19" chassis-mounting panel PC with tempered glass, Intel® CM550 2.0GHz CPU, 1GB DDR2 SDRAM
<b>P1972-1200-C/CM550</b>	19" chassis-mounting panel PC with resistive touch screen, Intel® CM550 2.0GHz CPU, 1GB DDR2 SDRAM
<b>PAC-P120W</b>	120W AC/DC adapter kit

All specifications are subject to change without notice.

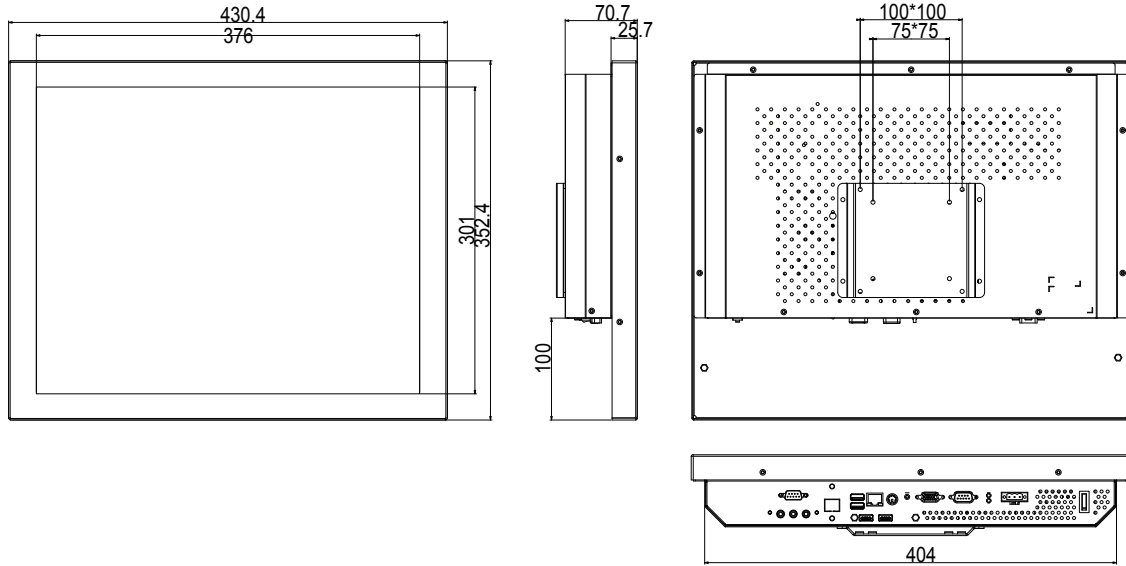


# P1972

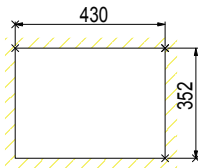
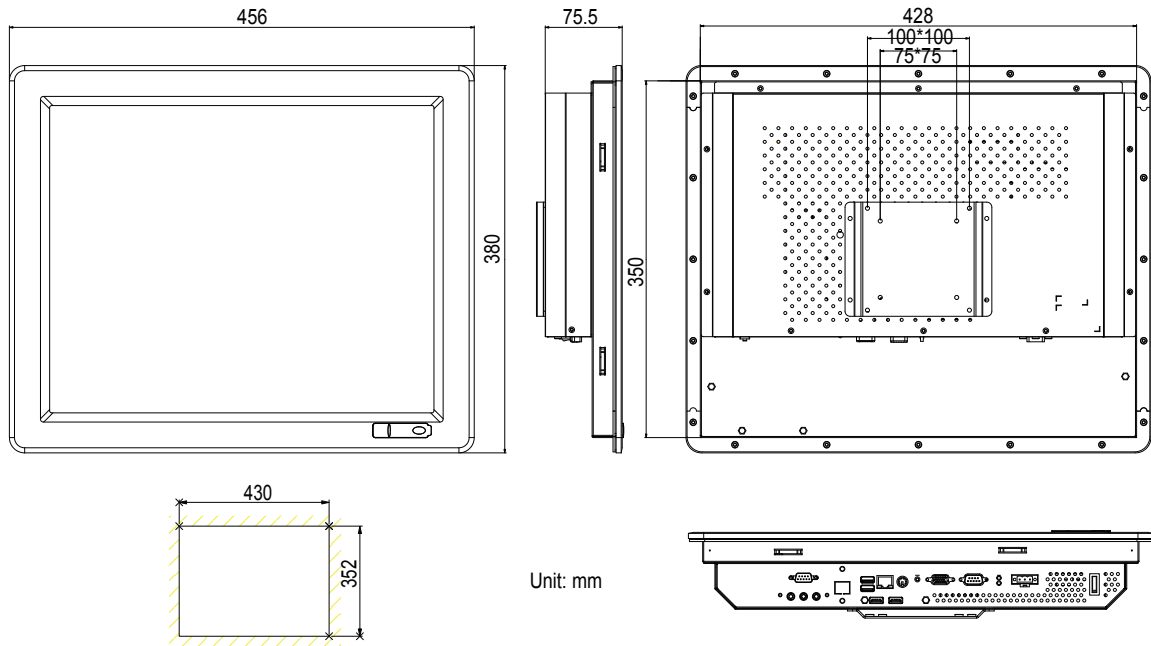
19" Intel® Celeron® M 550 Heavy-duty Panel PC

## Dimensions

### Chassis-mounting



### Panel-mounting



Cut-out dimensions: 430 x 352 mm

Unit: mm

Computer on Module

Compact Board

Slot Board

Industrial Motherboard

Wide Temperature

SBC Daughterboard Power Converter Mounting Kit

Rugged Tablet PC

Medical PC

Industrial Panel PC/Monitor

Box PC

Industrial Chassis / Backplane / Power supply