



MIL-6800

10.4" Intel® Core™ 2 Duo Rugged Portable Workstation



Features

- Low Reflective 10.4" TFT LCD w/ Resistive Touch Screen
- Mil-Std-810F Anti-Shock & Vibration
- Rain & Dust Resistant (IP68 Compliant)
- Wide Temp. (-40 ~ 60°C) Operation
- Multi-connectivity (Optional WLAN, and/or Bluetooth)
- Multi-expansion (Built-in PCMCIA, CompactFlash, and Mini PCI Socket)
- AC (Default) or DC (9-36V or 48V) Power Input
- 4 or 8 x RS-422 Ports Expansion (Optional)
- High Brightness 1,000 cd/m² Sunlight Readable LCD Panel (Optional)

System

CPU	Intel® Core™ Duo ULV U2500 1.2GHz (FSB 533MHz) CPU
	Intel® Core™ 2 Duo ULV U7500 1.06GHz (FSB 533MHz) CPU
Cache	2M
Memory	1 x 200-pin DDRII SO-DIMM (1GB)
Chipset	Intel® 945GME + ICH7M
Audio Controller	ALC262 AC97 Codec
Ethernet	1 x Agere Et1310 Gigabit Ethernet
Storage	1 x 1.8" SATA SSD 4GB built-in (optional to 64GB)

I/O

I/O Ports	1 x COM (RS-232C) port, 1 x VGA (DB-15) port, 1 x Audio (Speaker-out), 1 x Mic-in, 1 x LAN (female RJ-45) port, 2 x USB 2.0 ports
I/O Connector	1 x D38999/26WE35PN (55-pin) Mil-Std I/O connector
I/O Dust Cover	Mil-Std D38999/33W17R
Expansion Bus	1) 1 x PCMCIA slot 2) 2 x Internal Mini-Card slots 3) 1 x CompactFlash (Type II) socket

Function Key 12 x Function Keys (8 x Programmable, F1~ F8)

LCD Display

Size/Type	10.4" TFT LCD
Max. Resolution	1024 x 768, XGA
Pixel Pitch (mm)	0.264 (H) x 0.264 (V)
Contrast Ratio	600 : 1
Max. Colors	266,144 colors
Luminance	400 cd/m ² (1,000 cd/m ² sunlight readable LCD optional)
Viewing Angle (CR>=10)	80°~80° (H); 65°~65° (V)
Backlight MTBF	50,000 hours (20 ~ 35°C)

Touch Screen

Type	Analog resistive (4-wire)
Light Transmission	80%
Controller Interface	USB Interface

Power Supply

Adapter In	100 ~ 240VAC
Adapter Out	20VDC, 3.25A, 65W (Max.)
Adapter Connector	Mil-Std D38999 (MS3112E 8-4P)
Battery Type	Li-battery pack
Battery Capacity	3900mAh 6-cells
Battery Operating Time	3 hours

Mechanical & Environmental

Operating Temp.	-40°C to 60°C (-40°F to 140°F)
Storage Temp.	-40°C to 70°C (-40°F to 158°F)
Dimensions (W x D x H)	340.3 x 50.75 x 225 mm (13.4" x 2" x 8.9")
Weight (Net)	3.5 kg with battery (7.7lb)
IP Rating	IP-68 Rain & Dust Resistant
Shock	40G (11ms, 3 shocks/direction, 6 directions)
Vibration	6G (20 ~ 2000Hz, 3 times direction, 3 axes) (Mil-Std-810F, Method 514.4, Procedure 1 Mil-Std-810F, Method 514.4 & 512.2, Procedure 1)
Case Material	6061-T6 Aluminum Alloy
Case Finish	Hard Anodizing per Mil-A-8625D

Ordering Information

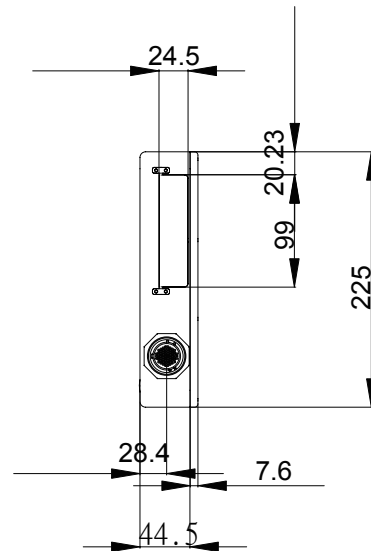
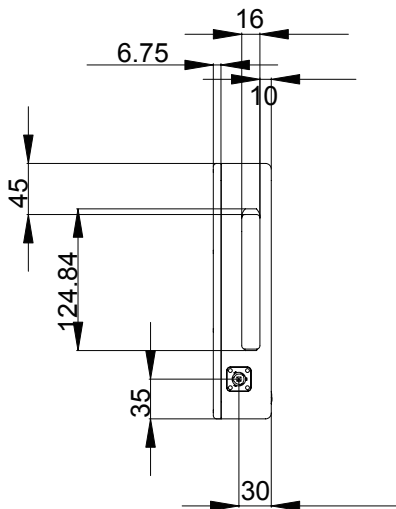
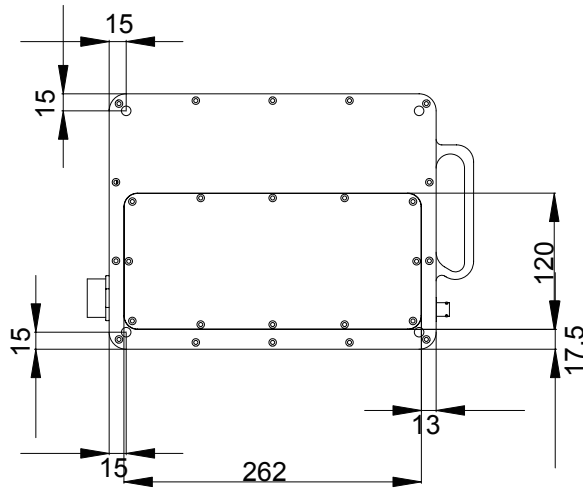
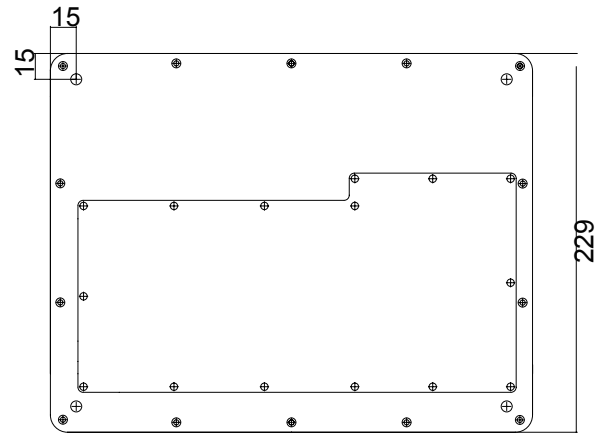
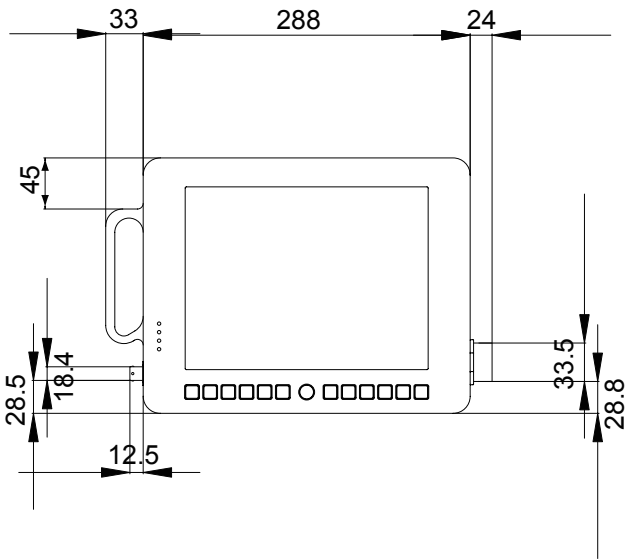
MIL-6800/U2500	10.4" Intel® Core™ Duo U2500 1.2GHz rugged tablet PC with resistive touch screen, 1GB DDRII RAM, 1.8" SATA SSD 4GB, 60W power adapter and carry bag
MIL-6800/U7500	10.4" Intel® Core™ 2 Duo U7500 1.06GHz rugged tablet PC with resistive touch screen, 1GB DDRII RAM, 1.8" SATA SSD 4GB, 60W power adapter and carry bag
UMK-6600	MIL-6600 universal mounting kit
MCK-6600	MIL-6600 Mil-Std I/O cable kit, including 1 x COM (RS-232C) port, 1 x VGA (DB-15) port, 1 x Audio (Speaker-out), 1 x Mic-in, 1 x LAN (female RJ-45) port, 2 x USB 2.0 ports
D38999/26WE35PN	MIL-6600 MIL-STD 55-pin connector
D38999/MS3116F-8-4S (D-D)	MIL-6600 DC-DC 60W power adapter (DC9-36V input)
D38999/MS3116F-8-4S (A-D)	MIL-6600 AC-DC 60W power adapter (AC100-240V input)
Optional	Transportation hard case USB interface Bluetooth module Mini PCI WLAN module (IEEE 802.11b/g) DC9-36V or DC48V power input 4 or 8 x RS-422 ports expansion module

All specifications are subject to change without notice.



MIL-6800

10.4" Intel® Core™ 2 Duo Rugged Portable Workstation



Unit:mm

All specifications are subject to change without notice.

Computer on Module

Compact Board

Slot Board

Industrial Motherboard

Wide Temperature

SBC Daughterboard Power Converter Mounting kit

Rugged Tablet PC

Medical PC

Industrial Panel PC/Monitor

Box PC

Industrial Chassis /Backplane/ Power supply